

LANDMARK COLLECTION

FAIRMOUNT — VINCENT VAN DUYSSEN 2024

1—
3



Designed by Vincent Van Duysen, the Fairmount table is meticulously crafted from exquisite solid teak, capturing the quintessence of outdoor elegance. Skillfully interpreting the material and emotional language of the Landmark Collection, it is thoughtfully designed to elevate any social gathering with a blend of comfort and style. The Fairmount table stands as a captivating creation, where the luxurious essence of teak meets Molteni&C's expertise in woodworking. A graceful interplay between substance and lightness unfolds through the suspended planks, available in two shapes: rectangular or round. The challenge lies in the suspension of the tabletop, where specially engineered support structures symmetrically arrange solid teak planks, creating a mesmerizing labyrinthine geometric figure and providing the captivating illusion of a suspended, "floating" tabletop thanks to a light and ingenious inclination. In its rectangular version, Fairmount boasts a base crafted from two rectangular structures, subtly recalling the lines seen in Vincent Van Duysen's Golden Gate table from the Outdoor Collection. This not only pays homage to the established design language but also inspires the seamless expansion of the Outdoor portfolio. In the round-top version, the base adopts a Y shape, with three solid beams extending from a central junction. This intentional design fosters a sense of conviviality and shared moments, embracing the inherent sociability associated with this shape.



The product may be used outdoors but requires particular care in the event of rain (see price list maintenance and waterproof cover)



The product is sent in multiple packaged and/or flat packed

DATASHEET

REGISTERED
DESIGN

2026



Product suitable for collective uses (Contract)

FAIRMOUNT —
VINCENT
VAN DUYSSEN
2024

FINISHES

LEGS FINISH

teak

WORKTOP FINISH

teak

TECHNICAL INFORMATION

TOPS AND LEGS

solid teak, natural finish, adjustable plastic ferrules

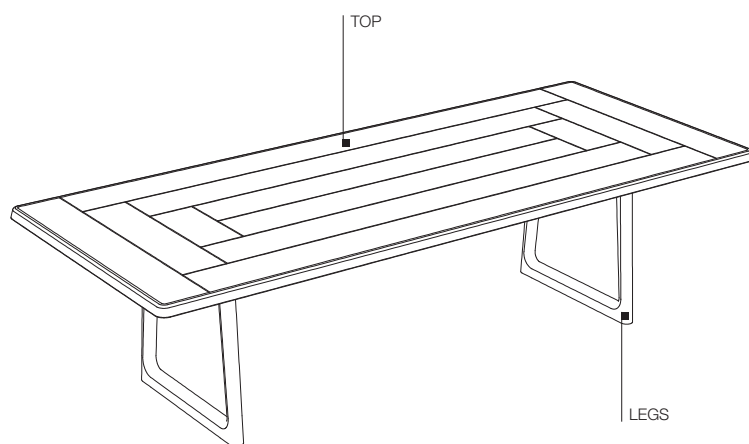
WATERPROOF COVER

100% polyester

Molteni&C | OUTDOOR

2—

3



DATASHEET

REGISTERED
DESIGN

2026

[moltenigroup.com](https://www.moltenigroup.com)

Dimensions in centimeters and inches. The right to discontinue and make changes is reserved. This information is based on the latest product information available at the time of printing.

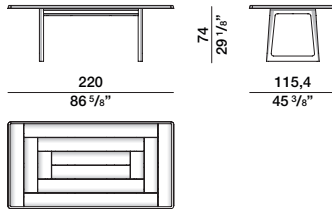
DIMENSIONS

Notes

► No reductions of any kind or changes to the finish are possible

Table

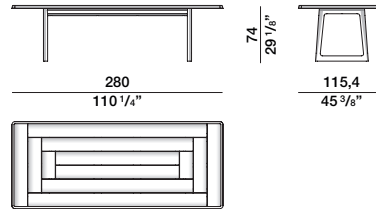
FTA22



waterproof cover XFTA22

Table

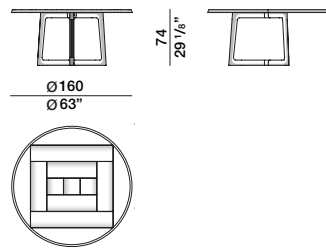
FTA28



waterproof cover XFTA28

Round table

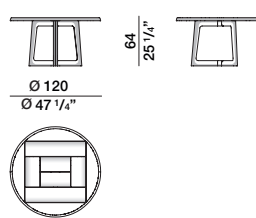
FTR16



waterproof cover XFTR16

Lounge table

FTL12



waterproof cover XFTL12

Molteni & C | OUTDOOR

3—
3

DATASHEET

REGISTERED
DESIGN

2026